

BALLOMAX® PN40, DN 10 - 50

Muffe / muffle

helsesvejset stålkugleventil



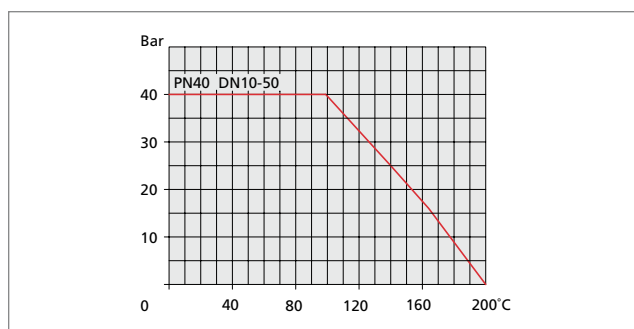
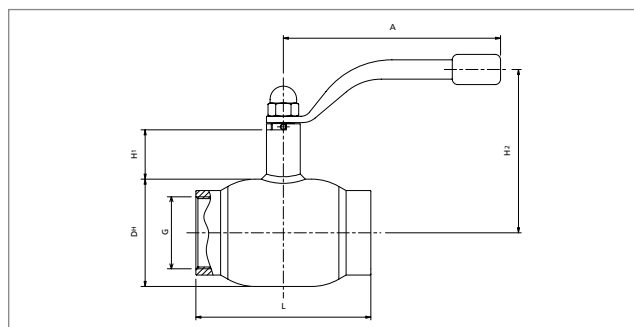
Fås med T-greb på forespørgsel

Available with T-handle upon request



Female / Female

Fully welded steel ball valve



Materialer

Se afsnit 10, 'Grafer / produktbeskrivelser'.

Anvendelse

Varmesystemer, fjernvarme, industrielle formål.

Medier

Vand, luft, olie og andre medier, der ikke nedbryder stålet.

Materials

See section 10, 'Graphs / Product Descriptions'.

Applications

Heating systems, district heating, industrial purposes

Media

Water, air, oil and other fluids which are not decomposing carbon steel.

DN	Katalog nr. Catalogue No.	Boring Bore	G	D _H	L	H ₁	H ₂	A	Vægt kg Weight kg
10	61.100.010	10	3/8"	38	65	50	116	140	0,6
15	61.100.015	10	1/2"	38	65	50	116	140	0,6
20	64.100.020	15	3/4"	42	75	47	115	140	0,7
25	64.100.025	20	1"	51	90	47	120	140	0,9
32	64.100.032	25	1 1/4"	57	105	48	124	140	1,2
40	64.100.040	32	1 1/2"	76	120	41	129	180	1,9
50	64.100.050	40	2"	89	145	41	135	180	2,9