

BALLOMAX® PN16, DN 125 - 500

Flange / flange

helsvejset stålkugleventil

Materialer

Se afsnit 10, 'Grafer / produktbeskrivelser'.

Anvendelse

Varmeanlæg, fjernvarme- og industrielle anlæg.

Medier

Vand, luft, olie og andre medier, der ikke nedbryder stålet.

Som standard leveres DN 200 - 500 uden håndtag.

Desuden kan følgende udstyr leveres efter forespørgsel:

- Modhold for transportabelt gear.
- Stationært håndbetjent gear.
- El-drevet gear.

Spindelstyret er forsynet med en ISO-flange.

Andre tryktrin: Se afsnit for specialmodeller.

Flange / Flange

Fully welded steel ball valve

Materials

See section 10, 'Graphs / Product Descriptions'.

Applications

Heating systems, district heating, industrial purposes.

Media

Water, air, oil and other fluids which are not decomposing carbon steel.

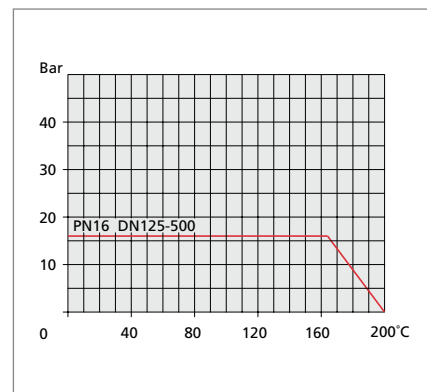
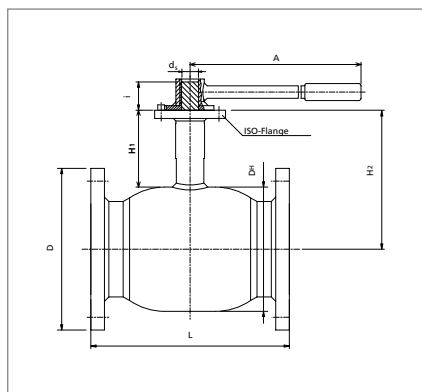
As standard, DN 200 - 500 is supplied without handle.

The following operating devices are available to order:

- Backstop for mobile actuator.
- Stationary hand-operated actuator.
- Electric actuator.

The spindle top is equipped with an ISO flange.

Other pressure levels: see special models.



DN	Katalog nr. Catalogue No.	Boring Bore	D _H	D	L	H ₁	H ₂	d ₅	i	A	ISO	Vægt kg Weight kg
125	61.103.125	100	178	250	325	132	221	24	40	365	F07	25,0
150	61.103.150	125	219	285	350	135	245	30	50	650	F10	38,6
200	61.103.200	150	267	340	400	155	289	30	60	-	F12	62,2
250	61.103.250	200	356	405	650	128	306	50	84	-	F14	140
300	61.103.300	250	457	460	750	108	336	60	105	-	F16	235
350	61.103.350	300	508	520	850	141	395	60	110	-	F25	300
400	61.103.400	350	610	580	950	140	445	70	120	-	F25	465
500	61.103.500	400	711	715	1150	167	522	90	150	-	F30	728