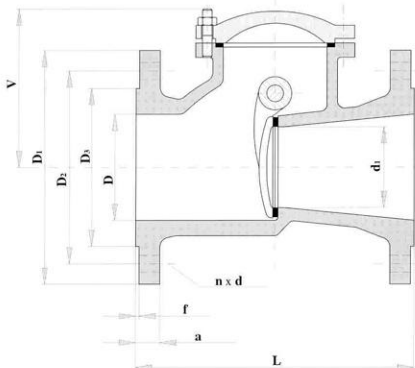


Swing check valve

L 10 117-525(225)

PN 25



Installation

Valve can be installed either into horizontal or vertical position. In vertical pipeline disc must be in upper position and flow direction must be upwards.

Control

Self-acting by the pressure of working medium on the valve disc which in the closed position avoids reverse flow of medium.

Various design

- L10 - basic
- L11 - with lever and counterweight
- L12 - with by-pass
- L17 - with lever and counterweight and by-pass

Application

Self-acting valve preventing from reflux of transported medium. Valves are used for water, steam, and other non-aggressive liquids and gases. Maximum working pressures and temperatures:

Temperature [°C]	Pressure [MPa]	
	-525	-225
200	2,50	3,12
300	1,93	3,00
400	1,47	2,66
500	-	1,94
550	-	0,85

Swing check valve is not a shut-off valve. If tightness is required, shut-off valve must be also inserted into the pipeline.

Technical description

Swing check valve is straight flow valve. Disc fits on the seat sealing surface and is carried in an arm revolving on a special hinge pin. Sealing surfaces are welded on. Disc is pushed to the sealing surfaces during the reverse flow.

Connection

Flanges as per ČSN 131060 & 131061. Face-to-face dimensions as per ČSN EN 558. Basic connecting dimensions are given in the table.

Materials

Body, bonnet, disc	-525	-225
	cast steel	alloy steel
	(DIN GS-C25)	(ČSN422744.5)
Pin		stainless steel (13Cr)
Sealing surfaces		welded overlay 13Cr

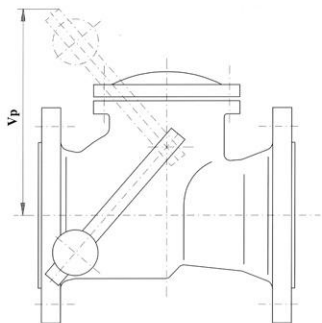
Testing

Swing check valve is tested as per DIN 3230, (ČSN 133060, part 2).

DN	D	d ₁	L	V	D ₁	D ₂	D ₃	a	f	d	n	kg
150	150	125	480	245	300	250	212	28	3	26	8	82
200	200	170	550	265	360	310	278	30	3	26	12	91
250	250	215	650	330	425	370	335	32	3	30	12	140
300	300	270	750	365	485	430	390	34	4	30	16	247
350	350	320	850	415	555	490	450	38	4	33	16	348
400	400	360	950	460	620	550	505	40	4	36	16	518
500	500	460	1150	525	730	660	615	44	4	36	20	678

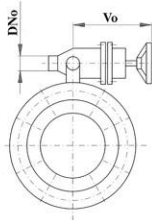
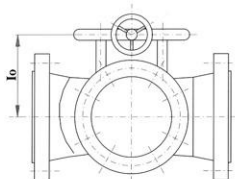
DN	200	250	300	350	400	500
Vp	240	275	310	345	380	430

L 11 117-525 - with lever and counterweight
L 11 117-225



DN	200	250	300	350	400	500
Vo	240	240	300	300	300	304
Io	360	385	440	470	490	535
DN_o	25	25	40	40	40	70

L16 117-525 - with by-pass
L16 117-225



DN	200	250	300	350	400	500
Vo	240	240	300	300	300	304
Io	360	385	440	470	490	535
Vp	240	275	310	345	380	430
DN_o	25	25	40	40	40	70

L17 117-525 - with lever, counterweight and by-pass
L17 117 - 225

