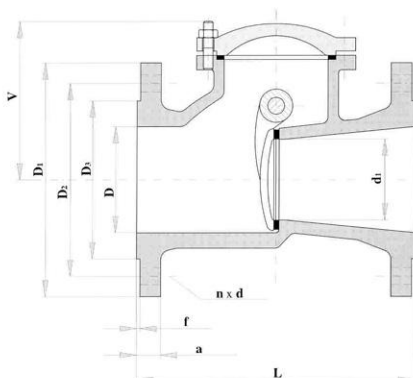


Swing check valve

L 10 117-540(240)

PN 40



Installation

Valve can be installed either into horizontal or vertical position. In vertical pipeline disc must be in upper position and flow direction must be upwards.

Control

Self-acting by the pressure of working medium on the valve disc which in the closed position avoids reverse flow of medium.

Various design

L10 - basic

L11 - with lever and counterweight

L12 - with by-pass

L17 - with lever and counterweight and by-pass

Application

Self-acting valve preventing from reflux of transported medium. Valves are used for water, steam, and other non-aggressive liquids and gases. Maximum working pressures and temperatures:

Temperature [°C]	Pressure [MPa]	
	-540	-240
200	4,00	5,00
300	3,09	4,81
400	2,35	4,25
500	-	3,11
550	-	1,37

Swing check valve is not a shut-off valve. If tightness is required, shut-off valve must be also inserted into the pipeline.

Technical description

Swing check valve is straight flow valve. Disc fits on the seat sealing surface and is carried in an arm revolving on a special hinge pin. Sealing surfaces are welded on. Disc is pushed to the sealing surfaces during the reverse flow.

Connection

Flanges as per ČSN 131060 & 131061. Face-to-face dimensions as per ČSN EN 558. Basic connecting dimensions are given in the table.

Materials

Body, bonnet, disc

-540

cast steel

(DIN GS-C25)

-240

alloy steel

(ČSN422744.5)

Pin

stainless steel (13Cr)

Sealing surfaces

welded overlay 13Cr

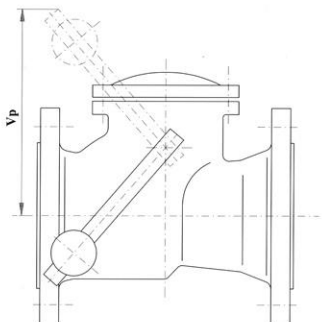
Testing

Swing check valve is tested as per DIN 3230, (ČSN 133060, part 2).

DN	D	d _s	L	V	D ₁	D ₂	D ₃	a	f	d	n	kg
40	40	35	200	97	150	110	88	18	3	18	4	10
50	50	40	230	102	165	125	102	20	3	18	4	14
65	70	60	290	160	185	145	122	22	3	18	8	21
80	80	70	310	165	200	160	133	24	3	18	8	24
100	100	85	350	175	235	190	158	24	3	22	8	35
125	125	100	400	185	270	220	184	26	3	26	8	46
150	150	125	480	245	300	250	212	28	3	26	8	82
200	200	170	550	265	375	320	285	34	3	30	12	113
250	250	215	650	330	450	385	345	38	3	33	12	194
300	300	270	750	365	515	450	410	42	4	33	16	314
350	350	320	850	415	580	510	465	46	4	36	16	410
400	400	360	950	460	660	585	535	50	4	39	16	530
500	500	460	1150	525	755	670	615	52	4	42	20	700
600	600	550	1350	690	890	795	735	60	5	48	20	1255

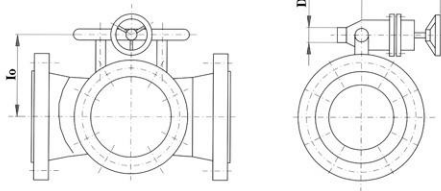
DN	200	250	300	350	400	500	600
Vp	240	275	310	345	380	430	670

L 11 117-540 - with lever and counterweight
L 11 117-240



DN	200	250	300	350	400	500	600
Vo	240	240	300	300	300	304	304
Io	360	385	440	470	490	535	585
DNo	25	25	40	40	40	70	70

L16 117-540 - with by-pass
L16 117-240



DN	200	250	300	350	400	500	600
Vo	240	240	300	300	300	304	304
Io	360	385	440	470	490	535	585
Vp	240	275	310	345	380	430	670
DNo	25	25	40	40	40	70	70

**L17 117-540 - with lever,
 counterweight and by-pass**
L17 117 - 240

