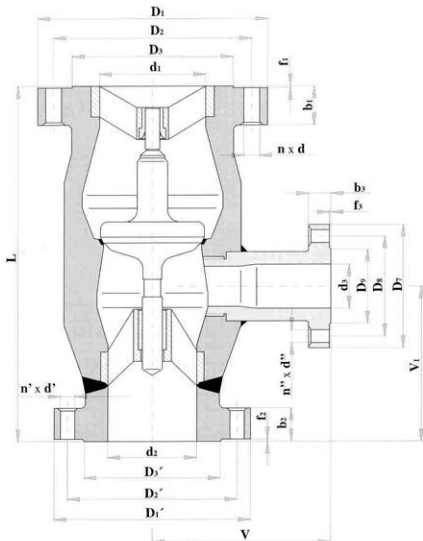


Check valve with a branch to vertical pipeline

Z 40 117-3160

PN 160



Application

Self-acting valve which prevents reverse flow of the service fluid, suitably mainly for use in delivery pipeline of centrifugal pumps. For use with water, steam, on special request also for other non-aggressive liquids and gases for service pressures and temperatures:

Temperature [°C]	Pressure [MPa]
300	22,7

If tightness is required, it is necessary to install into pipeline also a shut-off valve, besides the check valve.

Technical description

The disc sits on welded sealing surface in the body/pump pipelines. The disc is seated in two guides. The position of the disc controls the relief valve, which closes or opens flow through the relief channel.

Connecting and face-to-face dimensions

Flange connecting dimensions as per ČSN 13 1060 and ČSN 13 1061.

Face-to-face dimensions as per ČSN EN 558. Basic face-to-face and connecting dimensions are given in the table.

Material

Body	alloy steel 15 128
Disc guide	17 029
Sleeve	17 029
Disc	carbon steel 11 416
Flange	alloy steel 15 128

Testing

The valve is tested as per ČSN 13 3060, part 2.

Installation

The valve must be installed only into vertical pipeline with the inserted guide upwards.

Operation

The valve is self-acting, using the pressure of the service fluid on the disc, which closes to prevent reverse medium flow.

DN	L	V ₁	V	D ₁	D ₂	D ₃	D ₁ '	D ₂ '	D ₃ '	D ₄	D ₉	d ₁	d ₂	d ₃	b ₁	b ₂	b ₃	f ₁	f ₂	f ₃	n	d	n'	d'	n''	d''	kg	
250/300	900	400	450	585	500	410	515	430	345	315	250	184	268	225	109	100	88	56	4	3	3	16	42	12	42	8	33	1010