

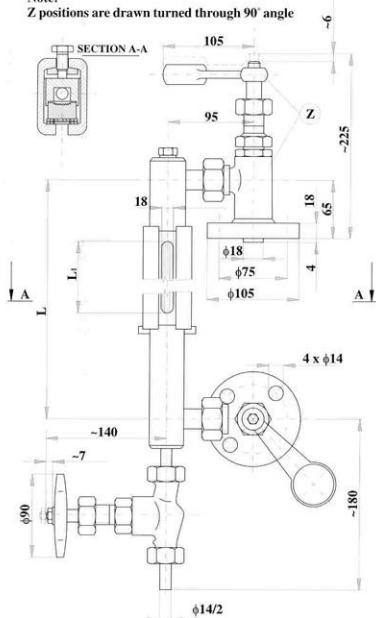
Reflex valve level indicator

U 45.1-440

PN 40

Note:

Z positions are drawn turned through 90° angle



Application

It is used as water direct-reading instrument for steam-generator tanks or for fixed hot-water tanks, for medium aggressive fluids and saturated steam for service pressures up to PN 25 and temperatures up to 250 °C. The indicator must not be used for toxic, aggressive or crystalline substances.

Technical description

Level indicator has upper and inferior head, groove with reflex glass, and control valve V 10 151 4100 DN 10. Head comprises protective ball cap and quick-closing, arm controlled valve with weight.

Level indicator enables max. groove inclination 30°. Control valve is for venting and sludging, when the level indicator is shut-down. Reflex glasses enable contrast fluid level observation.

Connecting and face-to-face dimensions

Connecting and face-to-face dimensions are given in the table below.

Material

Holder head body	carbon steel
Level indicator glass	cast tempered glass
Stem, plug	stainless steel

Installation

Level indicator is installed vertically or to a sloping position with the control valve in low position.

L	L ₁	kg
350	165	15,7
400	225	18,5
500	315	22,0