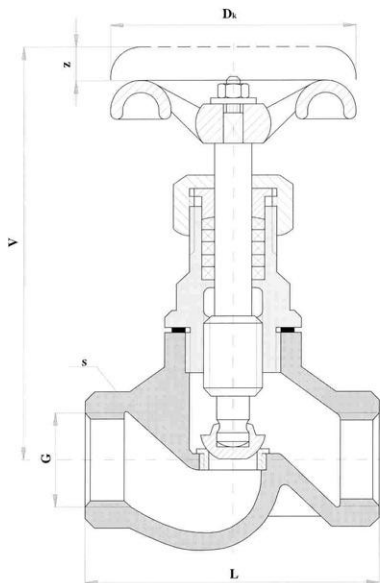


Screw-end globe valve

V 10 131-606

PN 6



Application

Shut-off valve for water, steam, non-aggressive liquids and gases, for service pressures and temperatures:

Temperature [°C]	Pressure [MPa]
120	0,60
150	0,58
200	0,54

Technical description

The valve is head-type. Closing disc fits into the body seat. Stem is sealed with gland packing in the valve head. Service medium flow direction is under the disc.

Connecting and end-to-end dimensions

End-to-end dimensions are given in the table below.

Material

Body malleable cast iron (GST-35-10)
Head, seat brass (CuZn37)
Stem, disc stainless steel (13Cr)
Gland packing asbestos-free fibre

Testing

The valve is tested as per ČSN 13 3060, part 2.

Installation

The valve can be installed in horizontal or vertical piping.

Operation

The valve is operated by handwheel.

DN	G	L	V	z	s	Dk	kg
10	3/8"	60	95	5	22	63	0,46
15	1/2"	70	98	6	27	63	0,5
20	3/4"	90	127	7	32	80	0,82
25	1"	110	140	10	41	100	1,68
40	1 1/2"	150	200	15	60	125	3,62
50	2"	200	218	18	70	160	5,49