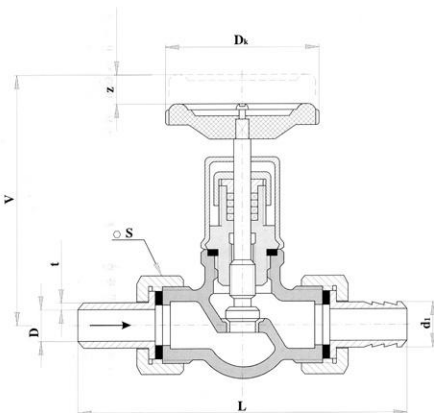


Discharge valve

V 10 141-616

PN 16



Application

Discharge and filling valve for hot water heating Systems for the following service pressures and temperatures:

Temperature [°C]	Pressure [MPa]
120	1,60
150	1,44
180	1,34

Technical description

The valve is head-type. Closing disc fits into the seat which is pressed into valve body. Rotating rising stem is sealed with gland packing in the valve head. Coupling at the outlet end is a hose connector. The couplings are secured to the valve body with cap nuts.

Connecting and end-to-end dimensions

Connecting and end-to-end dimensions are given in the table below.

Material

Body, head,	grey cast iron (GG-20)
cap nuts	brass (CuZn37)
Stem, disc, seat	carbon steel
Couplings	carbon steel
Gland packing	asbestos-free fibre

Testing

The valve is tested as per ČSN 13 3060, part 2, DIN 3230-3.

Installation

The valve can be installed in horizontal or vertical piping.

Operation

The valve is operated by handwheel.

DN	L	V	z	S	di	Dk	D x t	kg
15	185	120	12	41	21	60	21x3	1,05
20	190	130	14	46	27	80	27x3,5	2,5