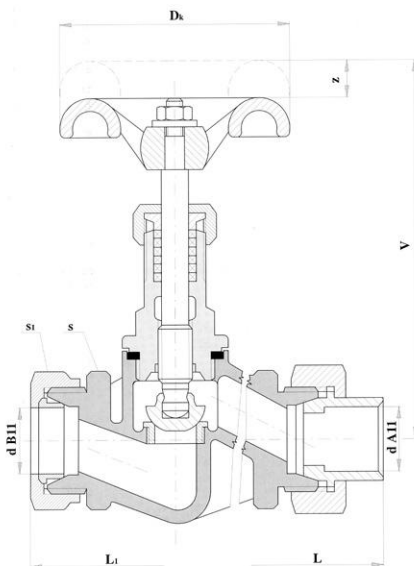


Globe valve with brazed screw coupling with non-brazed screw coupling

V 10 151-732

PN 32



Application

Shut-off valve for distribution of compressed air and other non-aggressive gases and liquids for service pressures and temperatures:

| Temperature [°C] | Pressure [MPa] |
|------------------|----------------|
| 120 | 3,20 |
| 150 | 2,27 |
| 200 | 0,90 |

Technical description

The valve is head-type. Closing disc fits into the body seat. The disc is rotary attached to the stem. Stem is sealed with gland packing in the valve head. Service medium flow direction is under the disc. Valves of diameters DN 20, 25 and 40 are also manufactured with non-brazed screw coupling.

Connecting and end-to-end dimensions

The valve is provided on the inlet as well as outlet side by brazed screw coupling. Connecting and end-to-end dimensions are given in the table below.

Material

Body, head, bronze
Stem, disc stainless steel (13Cr)
Brazed coupling brass (CuZn37)
Gland packing asbestos-free fibre

Testing

The valve is tested as per ČSN 13 3060, part 2.

Installation

The valve can be installed in horizontal or vertical piping.

Operation

The valve is operated by handwheel.

V 10 151-732 with brazed screw coupling

| DN | d A11 | d B11 | L | L ₁ | V | z | s | s ₁ | D _k | kg |
|----|-------|-------|-----|----------------|-----|----|----|----------------|----------------|------|
| 10 | 12 | - | 115 | - | 95 | 5 | 27 | 30 | 63 | 0,65 |
| 15 | 18 | - | 130 | - | 96 | 6 | 30 | 36 | 63 | 0,70 |
| 20 | 22 | - | 168 | - | 127 | 7 | 36 | 41 | 80 | 1,45 |
| 25 | 28 | - | 190 | - | 140 | 10 | 41 | 46 | 100 | 2,00 |
| 32 | 35 | - | 210 | - | 155 | 12 | 50 | 55 | 100 | 2,65 |
| 40 | 42 | - | 235 | - | 200 | 15 | 60 | 65 | 125 | 4,10 |
| 50 | 54 | - | 300 | - | 218 | 18 | 70 | 80 | 160 | 6,45 |

V 10 151-732 with non-brazed screw coupling

| DN | d A11 | d B11 | L | L ₁ | V | z | s | s ₁ | D _k | kg |
|----|-------|-------|---|----------------|-----|----|----|----------------|----------------|------|
| 20 | - | 22 | - | 135 | 127 | 7 | 36 | 36 | 80 | 1,25 |
| 25 | - | 28 | - | 150 | 140 | 10 | 41 | 46 | 100 | 2,00 |
| 40 | - | 45 | - | 200 | 200 | 15 | 60 | 65 | 125 | 3,80 |