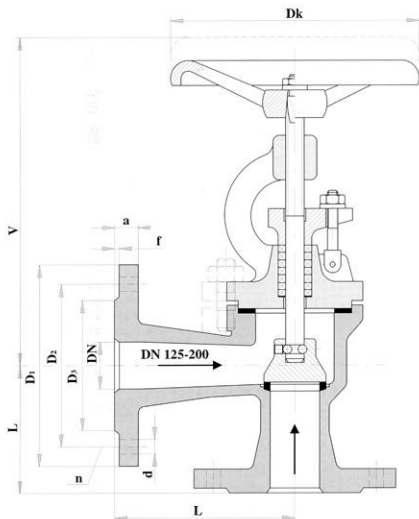


Angle globe valve

V 30 211-540

PN 40



Application

Shut-off valve for water, steam, on special request also for non-aggressive liquids, vapours and gases for service pressures and temperatures:

Temperature [°C]	Pressure [MPa]
200	4,00
250	3,44
300	3,09
400	2,35

The valve is not suitable for valve regulation.

Technical description

The valve is yoke-type. Closing disc fits into sealing surface welded into its body. Stem is sealed with gland packing in the yoke. In DN 15-100 valves the flow direction is from under the disc. For DN 125-200 valves, the flow direction is from above the disc and internal bypass reduces pressure difference before and after the closing element. (pressure drop).

Connecting and face-to-face dimensions

Face-to-face dimensions as per DIN 3202 F1. Flange connecting dimensions as per DIN2501.

Flange faces as per DIN2526, Form C.

Basic connecting and face-to-face dimensions are given in the table below.

Material

Body, yoke	carbon steel (GS-C25)
Stem	stainless steel (13Cr)
Disc up to DN 100	stainless steel (13Cr)
Disc for DN 125 and above	carbon steel with weld overlay (13Cr)
Gland packing	asbestos-free graphite

Testing

The valve is tested as per DIN 3230.

Installation

The valve can be installed in any position in a pipeline depending on the flow direction. However, the recommended position is with the stem vertical and the handwheel upwards.

Operation

The valve is operated by handwheel (ON 13 3110), chainwheel (ON 13 3130) or from a stand (ON 13 3140 and ON 13 4142).

DN	D _k	L	V	D ₁	D ₂	D ₃	a	f	d	n	kg
15	125	65	175	95	65	47	16	2	14	4	5
25	125	80	200	115	85	68	18	2	14	4	7
40	200	100	275	150	110	88	18	3	18	4	13
50	200	115	275	165	125	102	20	3	18	4	16
65	250	145	345	185	145	122	22	3	18	8	25
80	250	155	355	200	160	133	24	3	18	8	33
100	320	175	415	235	190	158	24	3	22	8	51
125	320	200	495	270	220	184	26	3	26	8	79
150	320	240	545	300	250	212	28	3	26	8	103
200	400	300	680	375	320	285	34	3	30	12	200