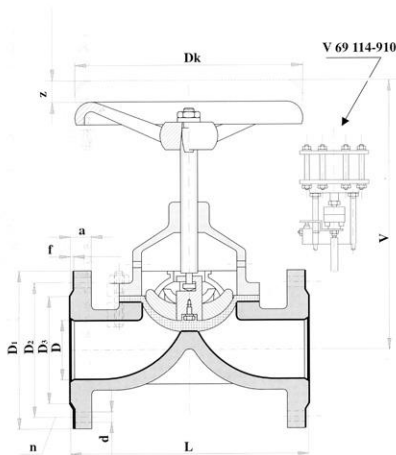


# Rubber lined diaphragm valve

V 69 111(4)-910

PN 10



## Application

Shut-off valve for chemical and food industry.  
For service pressures and temperatures:

Temperature [°C]	Pressure [MPa]
70	1,00

Use is limited by type, temperature and concentration of the service liquid.

## Technical description

The diaphragm valve has no gland packing. Closing element is a rubber diaphragm pressed into the seat by a support. The diaphragm is fixed to the support with an embedded bolt. Bonnet and support have ribs to prevent the diaphragm from tearing. Stem turns within the diaphragm support to which it is attached. Fluids can flow through the valve in both directions.

## Connecting and face-to-face dimensions

Flanged connection dimensions as per ČSN 13 1060, DIN 2501.

Face-to-face dimensions as per ČSN EN 558, DIN 3202 F1.

Basic connecting and face-to-face dimensions are given in the table below.

## Material

Body, bonnet, support	grey cast iron
Diaphragm	rubber
Surfaces getting in contact with medium	rubber
Stem	carbon steel

## Testing

The valve is tested as per ČSN 13 3060, part 2, DIN 3230.

## Installation

The valve can be installed in horizontal or vertical piping.

## Operation

The valve is operated by handwheel, chainwheel or from a stand.

DN	D	L	V	z	D <sub>1</sub>	D <sub>2</sub>	D <sub>3</sub>	a	f	d	n	D <sub>k</sub>	kg
25	25	160	150	17	115	85	68	19	2	14	4	125	6
32	32	180	155	17	140	100	78	19	2	18	4	125	8
40	40	200	190	17	150	110	88	21	3	18	4	160	11
50	50	230	200	24	165	125	102	23	3	18	4	160	13
65	70	290	280	39	185	145	122	23	3	18	4	200	21
80	80	310	290	42	200	160	133	26,5	3	18	8	200	26
100	100	350	320	59	220	180	158	26,5	3	18	8	250	39
125	125	400	380	65	250	210	184	28,5	3	18	8	250	56
150	150	480	460	85	285	240	212	28,5	3	22	8	320	89
200	200	600	540	100	340	295	268	32	3	26	12	400	165