

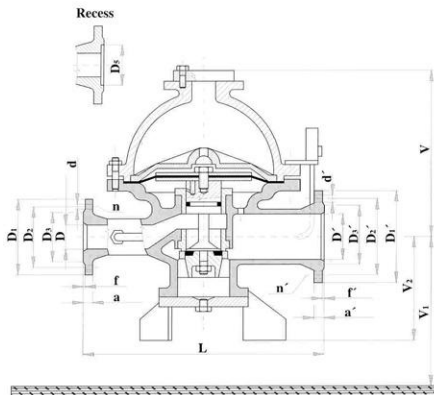
# Pressure controller

C 26 520 540

PN 40

C 26 520 563

PN 63



## Application

It is used as self-acting actuator, which decreases input vapor pressure and regulates within tolerant range to the set output pressure. The controller can be used for heating gas as per ČSN 385502, air and other non-aggressive gases. Service temperature range is from -10°C up to 70°C (in consideration of rubber parts). The pipeline must be free of all mechanic impurities, rusts and scale to allow the controller work properly.

## Connecting and face-to-face dimensions

Flange connecting dimension Pn 25, PN 40 and PN 63 as per ČSN 131160. Flange face finish as per ČSN 131061 is as following:

### C26520540

- inlet PN 40 with rugged sealing face (D3)
- outlet PN 25 with rugged sealing face (D3)

### C26520563

- inlet PN 63 with recess (D5)
- outlet PN 40 with rugged sealing face (D3)

## Installation

The controller is installed to horizontal pipeline only. Vertical controller axis must be perpendicular to horizontal surface, which passes through longitudinal controller axis.

	Overpressure [MPa]				min. difference
	input		output		
	max.	min.	max.	min.	
C 26 520 540	4	0,08	2,5	0,05	0,03
C 26 520 563	6,3	0,08	3	0,05	0,03

### C 26 520 540

DN	DN'	D	D'	L	V	V <sub>1</sub>	V <sub>2</sub>	D <sub>1</sub>	D <sub>2</sub>	D <sub>3</sub>	D <sub>5</sub>	a	f	d	n	D' <sub>1</sub>	D' <sub>2</sub>	D' <sub>3</sub>	a'	f'	d'	n'	kg
25	40	25	40	365	305	300	95	115	85	68	-	18	2	14	4	145	110	88	18	3	18	4	50
32	50	32	50	400	315	300	115	135	100	78	-	18	2	18	4	160	125	102	20	3	18	4	61
50	80	50	80	540	385	455	155	160	125	102	-	20	3	18	4	195	160	138	24	3	18	8	143
80	125	80	125	680	530	650	250	195	160	138	-	24	3	18	8	270	220	188	26	3	27	8	340
100	150	100	150	770	650	750	310	230	190	162	-	24	3	23	8	300	250	216	28	3	27	8	540
150	200	150	200	960	915	800	385	300	250	218	-	28	3	27	8	360	310	278	30	3	27	12	1010

### C 26 520 563

DN	DN'	D	D'	L	V	V <sub>1</sub>	V <sub>2</sub>	D <sub>1</sub>	D <sub>2</sub>	D <sub>3</sub>	D <sub>5</sub>	a	f	d	n	D' <sub>1</sub>	D' <sub>2</sub>	D' <sub>3</sub>	a'	f'	d'	n'	kg
25	40	25	40	365	365	300	95	135	100	-	58	24	2	18	4	145	110	88	18	3	18	4	50
50	80	50	80	540	445	455	155	175	135	-	88	26	3	23	4	195	160	138	24	3	18	8	182
80	125	80	125	680	590	650	250	210	170	-	121	28	3	23	8	270	220	188	26	3	27	8	410
100	150	100	150	770	710	750	310	250	200	-	150	30	3	27	8	300	250	218	28	3	27	8	628
150	200	150	200	960	975	800	385	340	280	-	204	36	3	33	8	375	320	280	34	3	30	12	1010