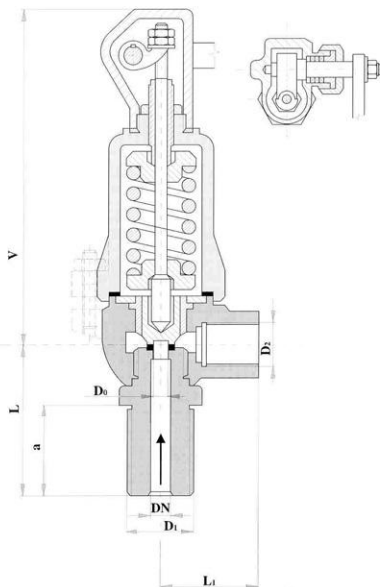


# Spring-loaded safety valve, low-lift with screw ends and threaded neck, gastight

P 14 287-5250

PN 250



## Application

Safety valve designed to protect pressure vessels and other pressure equipment against exceeding specific pressure level for steam, air, non-aggressive liquids and gases for service pressures and temperatures:

Temperature [°C]	Pressure [MPa]
200	25,00
250	21,50
300	19,30

## Technical description

The valve is of gastight design with a raising lever for in-service testing of the valve. Closing disc fits in a sealing surface welded in the body. The disc is pressed into the seat by a thrust pin, which is forced down by a spring. For higher temperatures, there is a special insert placed between the body and the spring cover. Flow direction in the valve is from under the disc.

## Connecting and end-to-end dimensions

Basic end-to-end and connecting dimensions are given in the table.

## Material

Body, cover	carbon steel (42 2643)
Disc	stainless steel (13 Cr)
Seat	weld overlay (13 Cr)
Spring	special steel

## Testing

The valve is tested as per ČSN 13 3060, part 2 DIN 3230.

## Installation

The valve must be installed in vertical position with the thrust pin above the disc.

## Operation

Automatically operated by service pressure on the disc.

DN	D <sub>0</sub>	L	L <sub>1</sub>	V	D <sub>1</sub>	D <sub>2</sub>	a	kg
15	15	88	70	258	M48x2	G 1 1/2"	40	10