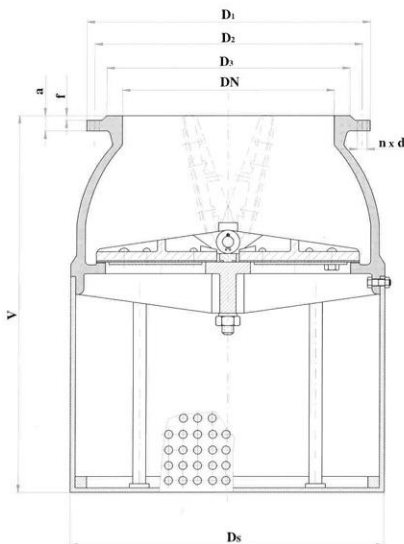


Flap suction basket

M 45 010-610

PN 10



Application

End fitting for vertical suction pipe for pumping of clean, or turbid aggressive liquids without hard mechanical particles at service temperatures of up to 70°C. It prevents the unwanted escape of columns of liquid from the suction pipe when the pump is stopped.

Technical description

For DN 300 to DN 600 the basket has two flaps. The DN 800 version has multiple flaps. The sealing surface in the body is of the base material. The sealing surfaces of the flaps are fitted with rubber. Maximum flap lift is limited by a stop, which ensures that they close under their own weight. The surface area in the basket holes is 2.5 times the cross-sectional area of the pipe to which the basket is fitted.

Connecting and face-to-end dimensions

Face-to-end dimensions are given in table below.

Flange connecting dimensions as per DIN 2501 and ČSN 13 1060 and 13 1061.

Material

Body, flap	grey cast iron (GG-20)
Flap seat	rubber
Filter screen	carbon steel
Pins	(perforated sheet metal) stainless steel (13 Cr)

Testing

The suction basket is tested as per DIN 3230, ČSN 13 3060.

Installation

The suction basket must be installed vertically.

DN	D _s	D ₁	D ₂	D ₃	V	a	f	n	d	kg
300	504	445	400	370	670	28	4	12	22	80
350	504	505	460	430	670	30	4	16	22	110
400	605	565	515	482	754	32	4	16	26	155
500	755	670	620	585	870	34	4	20	26	190
600	904	780	725	685	1085	36	5	20	30	265
800	1334	1015	950	905	1375	44	5	24	33	750