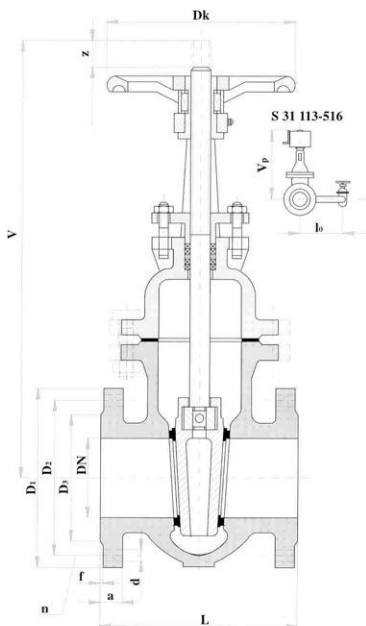


# Yoke gate valve with machined wedge guide and flooded seal

## S 31 111(3)-516

## PN 16



### Application

Shut-off valve for non-aggressive volatile liquids, toxic vapors, gases and overpressure piping where vacuum can occur, for pressures and temperatures:

Temperature [ C ]	Pressure [MPa]
200	1,60
300	1,24
400	0,94

The gate valve is not suitable for flow regulation

### Technical description

The technical gate valve has flooded packing and rising non-rotating stem with its thread outside the valve chamber. The stem nut is turned to raise or lower the stem and flexible wedge. Body and wedge have stainless steel welded sealing surfaces. Flooding is achieved by a valve with a screw coupling and a DN 10 threaded coupling. Stem is sealed with gland packing in yoke. Gate valve DN 200 and 250 and working overpressure higher than 1,00 MPa can be provided with a bypass.

### Connecting and face-to-face dimensions

Face-to-face dimension as per ČSN 13 3045. Flange connection dimensions as per ČSN 13 1060, DIN 2501.

Flange faces as per ČSN 13 1061, DIN 2526.

### Material

Body, bonnet, wedge carbon steel (42 2643.1)  
 Stem stainless steel (13 Cr)  
 Sealing surfaces weld deposit 13Cr  
 Gland packing asbestos-free graphite

### Testing

The gate valve is tested per ČSN 13 3060, DIN 3230-3.

### Operation

The gate valve can be operated by handwheel (ON 13 31111), chainwheel (ON 13 3131), electric servomotor or from a stand (ON 13 3140 and ON 13 3142).

### Installation

The gate valve can be installed in horizontal or vertical piping. For electrically actuated valves, the axis of electric motor must remain horizontal. If the servomotor is installed with vertical axis upwards, amount of oil fill must be increased. If the valve is installed horizontally, the actuator must be supported.

DN	D <sub>1</sub>	D <sub>2</sub>	D <sub>3</sub>	l <sub>0</sub>	a	f	n	d	L	V <sub>p</sub>	V	z	Dk	servomotor Mo	kg manual motor
50	165	125	102	-	18	3	4	18	180	645	410	75	200	5/10-25	21 60
65	185	145	122	-	18	3	4	18	200	700	440	90	200	16/21-25	25 82
80	200	160	133	-	20	3	8	18	210	730	480	100	200	16/21-25	29 88
100	220	180	158	-	20	3	8	18	230	750	585	115	250	16/21-40	45 105
125	250	210	184	-	22	3	8	18	255	880	660	140	250	16/21-40	65 120
150	285	240	212	-	22	3	8	22	280	960	770	170	320	25/32-40	78 138
200	340	295	268	345	24	3	12	22	330	1090	970	220	400	25/32-40	140 196
250	405	355	320	385	26	3	12	26	450	1360	1190	290	500	25/32-40	228 264