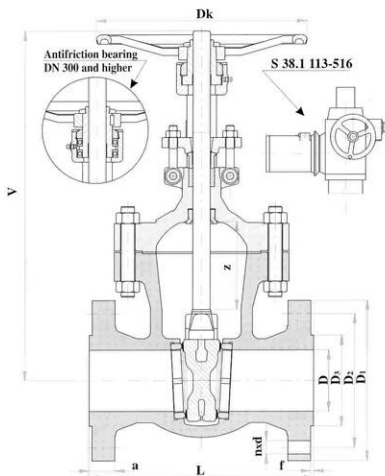


# Yoke gate valve

## S 38.1 111(3)-516

## PN 16



### Testing

The gate valve is tested per ČSN 13 3060, part 2.

### Installation

The gate valve can be installed in horizontal, vertical or oblique piping. For electrically actuated valves, the axis of electric motor must remain, horizontal. If the servomotor is installed or from a vertical axis upwards, amount of oil fill must be increased. If the valve is installed horizontally, the actuator must be supported.

### Operation

The gate valve can be operated by handwheel, chainwheel, electric servomotor (S 38.1 113) or from a stand.

### Application

Shut-off valve for water, saturated and superheated steam, gases, non-aggressive liquids, crude oil and oil products with temperature  $-50^{\circ}\text{C}$  to  $550^{\circ}\text{C}$  (according to material used). Use of the valve for other media must be discussed with the supplier in advance.

Temperature [°C]	Pressure [MPa]
-20	1,60
200	1,60
300	1,24
400	0,94
450	0,47

The gate valve is not suitable for flow regulation

### Technical description

The yoke gate valve has a rising non-rotating stem with its thread outside the valve chamber. The stem nut is turned to raise or lower the stem and flexible wedge. Seats and wedge have stainless steel welded sealing surfaces. The seats are screwed into valve body. Stem is sealed with gland packing in a bonnet. Gate valves can be provided also with a drain plug, vent plug or bypass.

### Connecting and face-to-face dimension

Face-to-face dimension as per ČSN EN 558. Flange connection dimensions as per DIN 2501 and DIN 2526.

Basic face-to-face and connecting dimensions are shown in the table.

### Material

Body, bonnet, wedge cast steel (42 2643.1)  
 Stem stainless steel (13 Cr)  
 Seats steel 12 022.1  
 Sealing surfaces weld deposit 13Cr  
 Gland packing asbestos-free graphite  
 Alternative materials per DIN standards are also available.

DN	D	D <sub>1</sub>	D <sub>2</sub>	D <sub>3</sub>	a	f	n	d	L	V	z	Dk	kg
50	50	165	125	102	20	3	4	18	250	360	72	200	27
65	65	185	145	122	18	3	4	18	270	440	85	250	36
80	80	200	160	138	20	3	8	18	280	465	92	250	40
100	100	220	180	158	20	3	8	18	300	520	117	250	55
125	125	250	210	188	22	3	8	18	325	635	150	300	89
150	150	285	240	212	22	3	8	22	350	705	170	400	110
200	200	340	295	268	24	3	12	22	400	820	225	400	192
250	250	405	355	320	26	3	12	26	450	965	280	450	265
300	300	460	410	378	28	4	12	26	500	1120	330	500	376
350	350	520	470	438	30	4	16	26	550	1210	365	500	511
400	400	580	525	490	32	4	16	30	600	1390	420	560	657
500	500	715	650	610	36	4	20	33	700	1680	520	630	1090
600	600	840	770	725	40	5	20	36	800	1990	625	710	2490
900	900	1125	1050	1000	44	5	28	39	1100	2990	946	900	3250