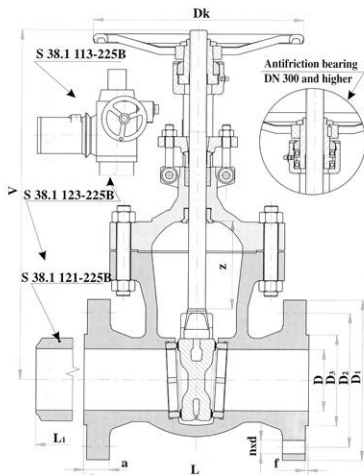


Yoke gate valve

S 38.1 111(3)-225B

S 38.1 121(3)-225B

PN 25



Testing

The gate valve is tested per ČSN 13 3060, part 2.

Installation

The gate valve can be installed in horizontal, vertical or oblique piping. For electrically actuated valves, the axis of electric motor must remain, horizontal. If the servomotor is installed or from a vertical axis upwards, amount of oil fill must be increased. If the valve is installed horizontally, the actuator must be supported.

Operation

The gate valve can be operated by handwheel, chainwheel, electric servomotor (S38.1 113, S38.1 123) or from a stand.

Application

Shut-off valve for water, saturated and superheated steam, gases, non-aggressive liquids, crude oil and oil products. With temperature of -50°C up to 400°C. Use of the valve for other media must be discussed with the supplier in advance.

Temperature [°C]	Pressure [MPa]
-50	3,18
-20	3,18
200	3,18
300	2,91
400	2,91

The gate valve is not suitable for flow regulation

Technical description

The yoke gate valve has a rising non-rotating stem with its thread outside the valve chamber. The stem nut is turned to raise or lower the stem and flexible wedge. Seats and wedge have stainless steel welded sealing surfaces. The seats are screwed into valve body. Stem is sealed with gland packing in a bonnet. Gate valves can be provided also with a drain plug, vent plug or bypass.

Connecting and face-to-face dimension

Flange connection dimensions as per DIN 2501 and DIN 2526, butt-weld ends as per ČSN 13 1075. Face-to-face dimension as per ČSN EN 558, end to end dimensions as per ČSN 13 3053. Basic face-to-face and connecting dimensions are shown in the table.

Material

Body, bonnet, wedge 42 2714.9
 Stem stainless steel (13 Cr)
 Seats steel 11 503.1
 Sealing surfaces 18-8CrNi
 Gland packing asbestos-free graphite
 Alternative materials per DIN standards are also available.

* - only with gear

DN	D	D ₁	D ₂	D ₃	a	f	n	d	L	L ₁	V	z	Dk	kg
50	50	165	125	102	20	3	4	18	250	250	360	72	200	27
65	65	185	145	122	22	3	4	18	270	270	440	85	250	36
80	80	200	160	138	24	3	8	18	280	280	465	92	250	40
100	100	235	190	162	24	3	8	22	300	300	520	117	250	55
125	125	270	220	188	26	3	8	26	325	325	635	150	300	89
150	150	300	250	218	28	3	8	26	350	350	705	170	400	122
200	200	360	310	278	30	3	12	26	400	400	840	225	400	202
250	250	425	370	335	32	3	12	30	450	450	965	280	450	278
300	300	485	430	395	34	4	16	30	500	500	1122	330	500	394
350	350	555	490	450	38	4	16	33	550	550	1212	365	500	541
400	400	620	550	505	40	4	16	36	600	600	1387	420	560	695
500	500	730	660	615	44	4	20	36	700	700	1680	520	630	1127
600	600	845	770	720	46	5	20	39	800	800	1990	625	710	2520
900	900	1185	1090	1030	58	5	28	48	1100	1100	2990	946	900	3300
1000	1000	-	-	-	-	-	-	-	-	1800	3200	1024	-*	5860