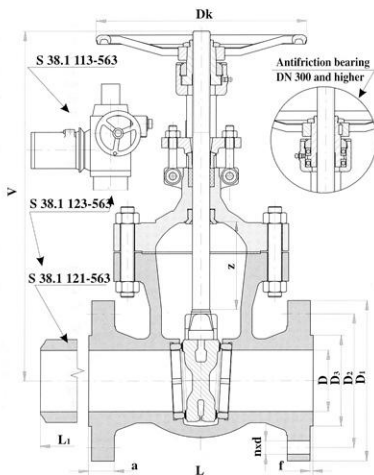


Yoke gate valve

S 38.1 111(3)-563

S 38.1 121(3)-563

PN 63



Testing

The gate valve is tested per ČSN 13 3060, part 2.

Installation

The gate valve can be installed in horizontal, vertical or oblique piping. For electrically actuated valves, the axis of electric motor must remain, horizontal. If the servomotor is installed or from a vertical axis upwards, amount of oil fill must be increased. If the valve is installed horizontally, the actuator must be supported.

Operation

The gate valve can be operated by handwheel, chainwheel, electric servomotor (S38.1 113, S38.1 123) or from a stand.

Application

Shut-off valve for water, saturated and superheated steam, gases, non-aggressive liquids, crude oil and oil products with temperature -20°C to 450°C (according to material used). Use of the valve for other media must be discussed with the supplier in advance. The gate valve is not suitable for flow regulation.

Temperature [°C]	Pressure [MPa]
-20	6,30
200	6,30
300	4,87
400	3,70
450	1,87

Technical description

The yoke gate valve has a rising non-rotating stem with its thread outside the valve chamber. The stem nut is turned to raise or lower the stem and flexible wedge. Seats and wedge have stainless steel welded sealing surfaces. The seats are screwed into valve body. Stem is sealed with gland packing in a bonnet. Gate valves can be provided also with a drain plug, vent plug or bypass.

Connecting and end-to-end dimensions

Flange connection dimensions as per DIN 2501 and DIN 2526, butt-weld ends as per ČSN 13 1075. Face-to-face dimension as per ČSN EN 558, end to end dimensions as per ČSN 13 3053. Basic face-to-face and connecting dimensions are shown in the table.

Material

Body, bonnet, wedge cast steel (42 2643.1)
 Stem stainless steel (13 Cr)
 Seats steel 12 022.1
 Sealing surfaces weld deposit 13Cr
 Gland packing asbestos-free graphite
 Alternative materials per DIN standards are also available.

DN	D	D ₁	D ₂	D ₃	a	f	n	d	L	L ₁	V	z	Dk	kg
50	50	180	135	102	26	3	4	22	250	250	360	72	200	38
65	65	205	160	122	26	3	8	22	290	290	440	85	250	55
80	80	215	170	138	28	3	8	22	310	310	465	92	250	60
100	100	250	200	162	30	3	8	26	350	350	540	117	300	95
125	125	295	240	188	34	3	8	30	400	400	635	150	300	161
150	150	345	280	218	36	3	8	33	450	450	805	170	500	260
200	200	415	345	285	42	3	12	36	550	550	865	225	500	333
250	250	470	400	345	46	3	12	36	650	650	1060	275	630	495
300	300	530	460	410	52	4	16	36	750	750	1184	330	630	675
350	350	600	525	465	56	4	16	39	850	850	1400	375	710	911
400	400	670	585	535	60	4	16	42	950	950	1545	435	710	1206
500	500	800	705	615	68	4	20	48	1150	1150	1870	540	800	2840
600	600	930	820	735	76	4	20	56	1350	1350	2180	630	900	3950