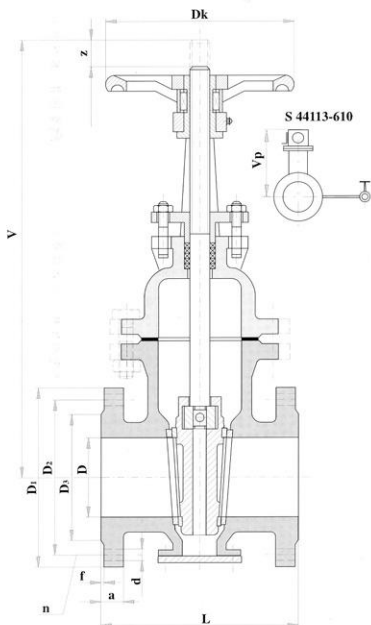


Yoke gate valve with cleaning plug S 44 111(3)-610 PN 10



Application

Shut-off valve for sediment forming non-aggressive dirty liquids for service pressures and temperatures:

Temperature [°C]	Pressure [MPa]
120	1,00
150	0,90
180	0,84
200	0,80

The gate valve is not suitable for flow regulation

Technical description

The yoke gate valve has a rising non-rotating stem with its thread outside the valve chamber. The stem nut is turned to raise or lower the stem and solid wedge. Body and wedge have pressed brass sealing rings. Stem is sealed with gland packing in a yoke. Bottom part of the valve has a cleaning hole.

Connecting and face-to-face dimensions

Flange connection dimensions as per ČSN 13 1060 and ČSN 13 1061.

Face-to-face dimensions as per ČSN EN 558, DIN 3202 F4. Basic connecting and face-to-face dimensions are shown in the table.

Material

Body, bonnet, wedge grey cast iron (42 2420)
Stem stainless steel (13 Cr)
Sealing surfaces brass
Gland packing asbestos-free fibre

Testing

The gate valve is tested per DIN 3230.

Installation

The gate valve can be installed in horizontal piping with its actuation upwards.

Operation

The gate valve can be operated by handwheel, el. actuator or from a stand.

DN	D ₁	D ₂	D ₃	Dk	z	L	V	V _p	a	n	f	d	servomotor Mo	manual kg actuator
50	165	125	102	160	70	150	365	620	20	4	3	18	8/10-25	16 38
65	185	145	122	160	85	170	410	660	20	4	3	18	8/10-25	22 50
80	200	160	133	200	105	180	480	725	22	8	3	18	8/10-25	32 64
100	220	180	158	250	125	190	600	810	24	8	3	18	16/21-25	46 85
125	250	210	184	250	150	200	700	875	26	8	3	18	16/21-25	64 110
150	285	240	212	250	175	210	775	950	26	8	3	22	16/21-40	77 145
200	340	295	268	320	230	230	990	1080	26	8	3	22	25/32-40	129 202
250	395	350	320	450	290	250	1200	1230	26	12	3	22	25/32-40	205 274
300	445	400	370	450	335	270	1370	1355	28	12	4	22	25/32-40	270 333