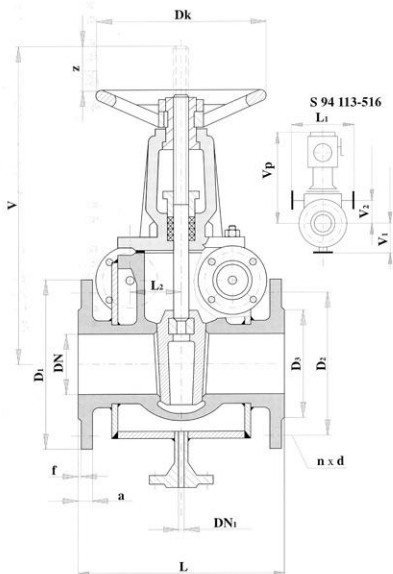


Yoke gate valve with heating jacket

S 94 111(3)-516

PN 16



Application

Shut-off valve for non-aggressive and easy hardening media. The gate valve is not suitable for flow regulation.

Temperature [°C]	Pressure [MPa]
200	1,60
300	1,24
400	0,94

Technical description

The yoke gate valve has a rising non-rotating stem with its thread outside the valve chamber. Stem nut is turned to raise or lower the stem and solid wedge. Body and wedge have stainless steel sealing surfaces.

Connecting and face-to-face dimensions

Flange connection dimensions as per ČSN 131060 and ČSN 131061. Face-to-face dimensions as per ČSN EN 558. Basic face-to-face and connecting dimensions are shown in the table.

Material

Body, bonnet, wedge	42 2643.1
Stem	stainless steel (13 Cr)
Sealing surfaces	13 Cr
Gland packing	asbestos-free graphite
Heating jacket	carbon steel

Testing

The gate valve is tested per ČSN 13 3060, part 2, (DIN 3230).

Installation

The gate valve can be installed in horizontal or vertical piping. For electrically actuated valves the axis of electric motor must remain horizontal. If the servomotor is installed with vertical axis upwards, amount of oil fill must be increased. If the valve is installed horizontally, the actuator must be supported.

Operation

The gate valve can be operated by handwheel, chainwheel, el. actuator or from a stand.

DN	L	D ₁	D ₂	D ₃	Dk	z	V _p	a	n	f	d	V	V ₁	V ₂	L ₁	L ₂	DN ₁	servomotor	M	kg	manual actuator
40	240	150	110	88	200	60	610	18	4	3	18	345	115	75	230	60	15	8/10-25		27	70
50	250	165	125	102	200	70	610	18	4	3	18	380	144	70	288	65	15	8/10-25		36	87
65	270	185	145	122	200	90	680	18	4	3	18	440	144	95	288	72	15	16/21-25		43	103
80	280	200	160	133	200	100	710	20	8	3	18	480	144	105	288	75	15	16/21-25		48	108
100	300	220	180	158	250	115	760	20	8	3	18	600	164	125	328	80	15	16/21-40		68	123
125	325	250	210	184	250	150	850	22	8	3	18	680	177	145	354	92	25	16/21-40		75	134
150	350	285	240	212	320	170	920	22	8	3	22	770	202	180	404	92	25	25/32-40		110	174
200	400	340	295	268	400	220	1070	24	12	3	22	970	237	235	474	120	25	25/32-40		190	248
250	450	405	355	320	450	280	1220	26	12	3	26	1190	272	280	544	135	25	25/32-40		323	382